

Bullet / B-Wing

INSTRUCTION SHEET

IMPORTANT

- A. Any reference made to the "left" or "right", "front" or "back" is taken as the rider is seated on the motorcycle.
- B. Any variations from these installation instructions could have an adverse effect on the performance of the fairing or negate any present or future warranty.

No. 1. WINDSHIELD ASSEMBLY

Attach windshield mounts to glass with (2) 1/4" x 20 x 5/8" screws. Be sure that flat side of mount with the threaded opening is facing the rider. Repeat on other side of shield. Carefully lay shield to the side.

No. 2. HANDLEBAR CLAMP ASSEMBLY

Assemble each clamp per diagram A on the reverse side of the instruction sheet. Be sure to connect the 1/4" x 20 x 1 1/2" allenhead bolt first. Just get the nut started. Slide nut onto mount frame from each end. Mount on handlebars where you want the bracket and tighten allenhead bolts. **Do not mount clamp halves at this time.**

No. 3. WINDSHIELD ATTACHMENTS

Once hardware mounts are positioned correctly for your bike, place mount frame against windshield mounts on the glass and fasten with 1/4" x 20 x 3/4" chrome allenhead screws (4) as shown in diagram B on reverse side of instruction sheet. Once fastened and tightened, place brackets on handlebars and tighten the clamp halves in place with the (4) 10-32 x 1" allenhead bolts. At this point, sit on the bike as if you are riding and make any adjustments that you feel are needed for your comfort. Tighten all fasteners.

No. 4. FINAL ADJUSTMENTS

Mfg. suggests using **Loctite** on all fasteners to prevent loosening from vibration. When shield is attached at all points, adjust shield to proper angle. Tighten up all hardware snugly and enjoy your windshield or fairing by Slipstreamer.

NOTE: After initial installation and approximately 100 miles, check mounting hardware for tightness.

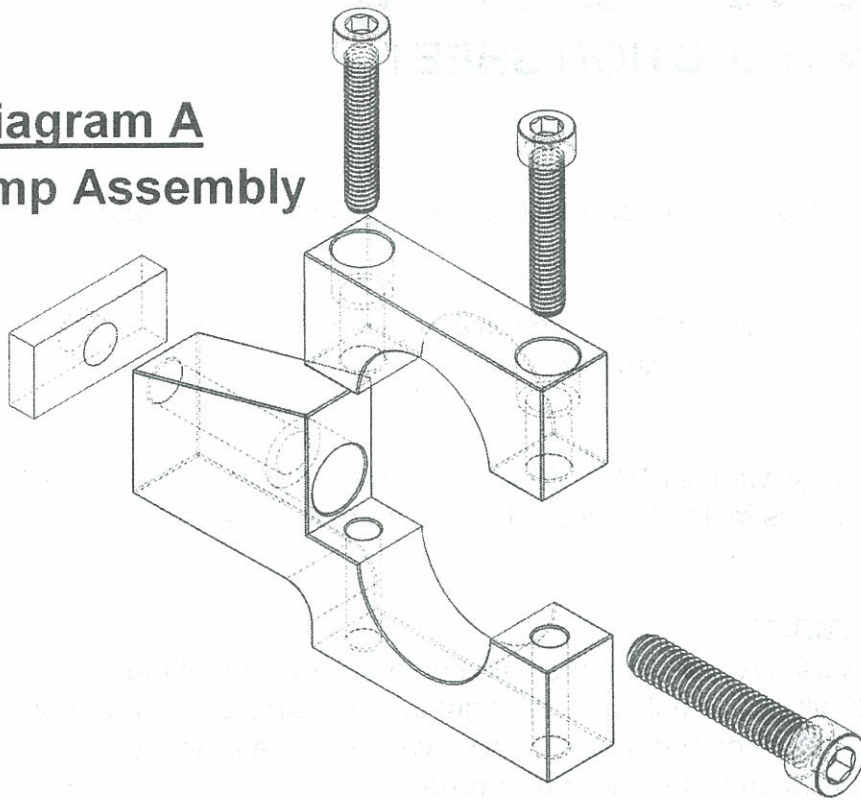
No. 5. CLEANING THE LUCITE SHIELD

Use **Slipstreamer Cleaner/Polish** and to remove scratches use **Slipstreamer Scratch Remover** available at your Slipstreamer Dealer or wash with a mild soap or detergent and lukewarm water. Use a soft clean cloth or sponge. Rinse well and blot dry with a damp cloth or chamois.

NEVER USE ABRASIVE CLEANERS, HOUSEHOLD CLEANERS, WINDOW CLEANING FLUIDS, SCOURING COMPOUND, GRITTY CLOTHS, OR STRONG SOLVENTS SUCH AS ALCOHOL, ACETONE, CARBON TETRACHLORIDE, ETC.

To maintain the brilliant luster of Lucite, wax occasionally with a good grade of automobile wax. **(Not a cleaner-wax combination.)** Apply a thin coat with a clean cotton cloth. Then wipe with a clean damp cloth. NEVER USE HOUSEHOLD SPRAY WAXES.

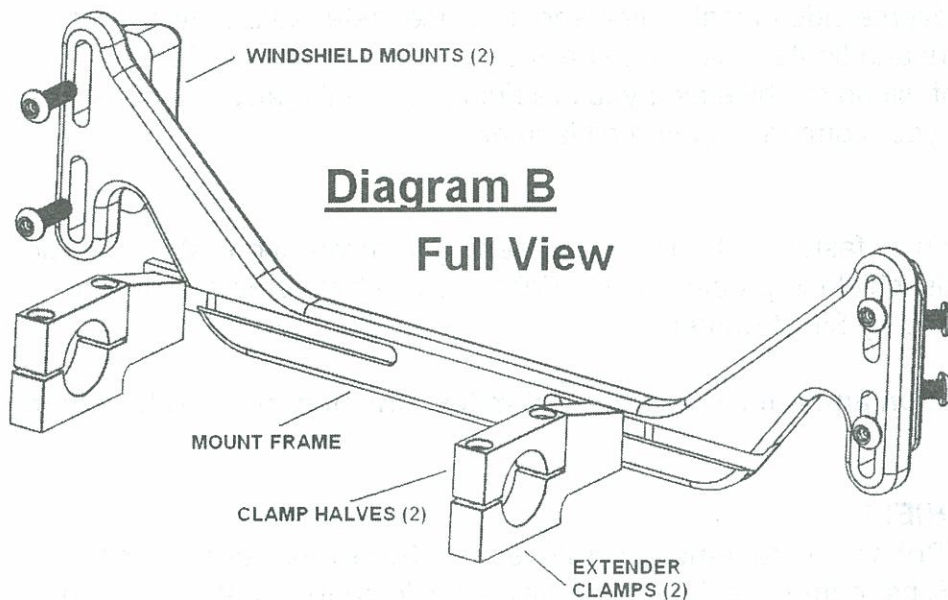
Diagram A
Clamp Assembly



BILL OF MATERIALS

- 1- WINDSHIELD
- 2- WINDSHIELDS MOUNTS
- 1- MOUNT FRAME
- 2- EXTENDER CLAMPS
- 2- CLAMP HALVES
- 4- 1/4" x 20 x 5/8" SCREWS
- 4- 1/4" x 20 x 3/4" SCREWS
- 4- 10-32 x 1" ALLENHEADS
- 2- 1/4" x 20 x 1 1/2" ALLENHEADS
- 2- 1/4" x 20 HEX NUTS
- 2- HANDLEBAR SPACERS
(USED TO BUILD UP HANDLEBARS TO 1" IF NEEDED)

Diagram B
Full View



MANUFACTURED BY

slip streamer[®] inc.

10820 MANKATO STREET N.E.
PHONE (763) 780-9757
Email: slipshield@aol.com

BLAINE, MN 55449
FAX (763) 780-9762
www.slipstreamer.com