

# CF-30, -40, -50

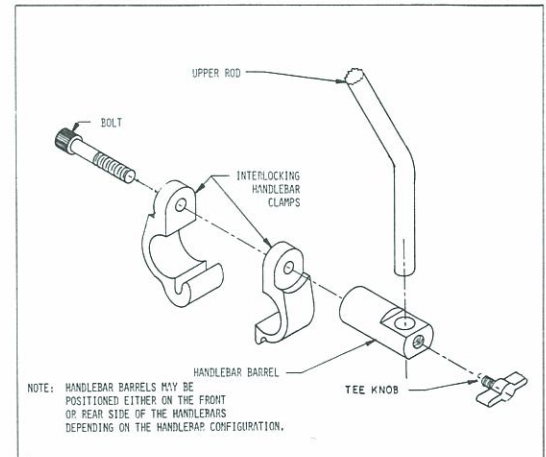
By *slip streamer*

## INSTALLATION INSTRUCTIONS

- A. Any variations from these installation instructions could have an adverse effect on the performance of the fairing or negate any present or future warranty.
- B. MFG. SUGGEST USING LOCKTITE ON ALL FASTENER TO PREVENT LOOSENING FROM VIBRATION.

### NO. 1. SUPPORT ROD INSTALLATION

- A. Interlocking handlebar clamps are mounted to the handlebars. Positioning of these knuckles may vary depending on the configuration of the handlebars. Do not tighten bolts completely as shield may have to be adjusted.
- B. Support rods should be mounted on the front side of the handlebars. Rods should be positioned so top long bend is in the upper position as shown in **Figure A**.



**FIGURE A.**

### NO. 2. SHIELD INSTALLATION

With the barrels on the upper support rods, (2 barrels per rod), hold the shield in position on the bike and align the barrels to the mounting holes in the fairing. Assemble in this order: (a) Screw, (b) Grommet, (c) Shield, (d) Barrel — as shown in **Figure B**.



**FIGURE B.**

### NO. 3. FINAL ADJUSTMENTS

- A. Adjust fairing for desired height by sliding barrels up and down rods. Lock tight with tee knobs in the rear of the barrel. **See Figure B.**
- B. Ensure all hardware is tightened snugly and enjoy your windscreen by SLIPSTREAMER.®

### NO. 4. CLEANING THE LUCITE SHIELD

Use Slipstreamer Cleaner/Polish, and to remove scratches use Slipstreamer Scratch Remover available at your Slipstreamer Dealer or wash with a **mild** soap or detergent and lukewarm water. Use a clean soft cloth or sponge. Rinse well and blot dry with a damp cloth or chamois.

“NEVER USE ABRASIVE CLEANERS, HOUSEHOLD CLEANERS, WINDOW-CLEANING FLUIDS, SCOURING COMPOUNDS, GRITTY CLOTHS, OR STRONG SOLVENTS SUCH AS ALCOHOL, ACETONE, CARBON TETRACHLORIDE, ETC.”

To maintain the brilliant luster of Lucite, wax occasionally with a good grade of automobile paste wax. (NOT A CLEANER-WAX COMBINATION.) Apply a thin coat with a clean cotton flannel cloth. Then wipe with a clean damp cloth. NEVER USE HOUSEHOLD SPRAY WAXES.

MANUFACTURED BY

**slip streamer**® inc.

10820 MANKATO STREET NE  
PHONE (763) 780-9757  
Email: slipshield@aol.com

BLAINE, MN 55449  
FAX (763) 780-9762  
www.slipstreamer.com

2/83 UNIVERSAL