



10820 MANKATO STREET N.E.
(763) 780-9757

BLAINE, MN 55449
FAX (763) 780-9762

IMPORTANT

- A. BEFORE INSTALLING FAIRING READ INSTALLATION INSTRUCTIONS THOROUGHLY.
- B. **Any variations from these Installation Instructions could have an adverse effect on the performance of the Fairing or negate any present or future warranty.**

NO. 1. MIRROR REMOVAL

- A. Pull rubber covering over mirror rods to expose mounting bolt.
- B. Remove bolts. (Figure B).

NO. 2. FRONT PLATE REMOVAL (Figure A).

- A. Remove Honda plate on front cowling by turning screw to loosen.
- B. Once loose, the plate pops out of the existing holes.
- C. Remove cowling bolts using an 8mm socket.

NO. 3. WINDSCREEN APPLICATION

- A. Place long end of "L" shape bracket under mirror towards rider at approximately a 45° angle and retighten mirror bolts. (Figure B).
- B. Insert the threaded portion of the Allen head bolt through mirror bracket with appropriate washers and tighten securely. (Figure D).
- C. Put windshield mount assembly together as shown in Figure C and slide the mounting rods through the mirror mount barrels.
- D. Insert 7cm long bolt and 1/4" washer through the bottom holes of shield and screw into cowling holes.

NOTE: Do not overtighten 7cm bolt. Just turn until snug.

- E. Check to make sure all is secure and positioned correctly.

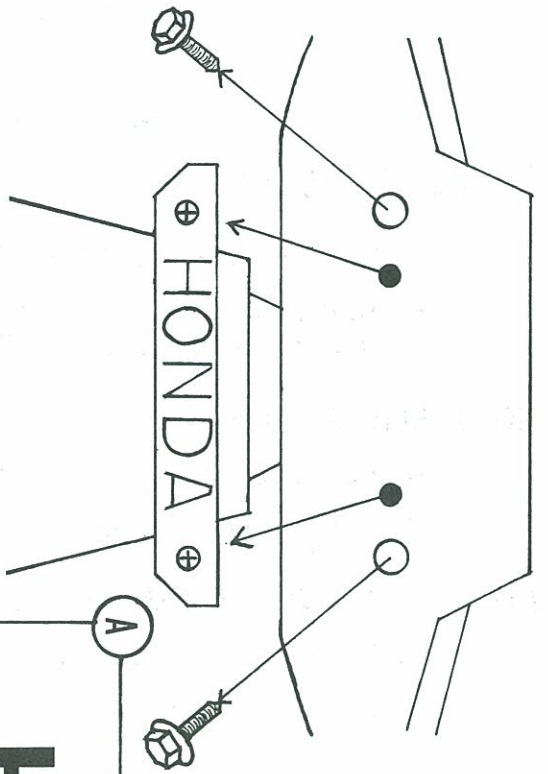
NOTE: Manufacturer suggests using Loctite on all fasteners (except cowling bolts) to prevent loosening from vibration.

NO. 4. CLEANING THE WINDSCREEN

Use **Slipstreamer Cleaner/Polish** and to remove scratches use **Slipstreamer Scratch Remover** available at your Slipstreamer Dealer or wash with a **mild** soap or detergent and lukewarm water. Use a soft cloth or sponge. Rinse well and blot dry with a damp cloth or chamois.

NEVER USE ABRASIVE CLEANERS, HOUSEHOLD CLEANERS, WINDOW CLEANING FLUIDS, SCOURING COMPOUND, GRITTY CLOTHS, OR STRONG SOLVENTS SUCH AS ALCOHOL, ACETONE, CARBON TETRACHLORIDE, ETC.

To maintain the brilliant luster, wax occasionally with a good grade of automobile wax. (**Not a cleaner-wax combination**). Apply a thin coat with a clean cotton cloth. Then wipe with a clean damp cloth. NEVER USE HOUSEHOLD SPRAY WAXES.

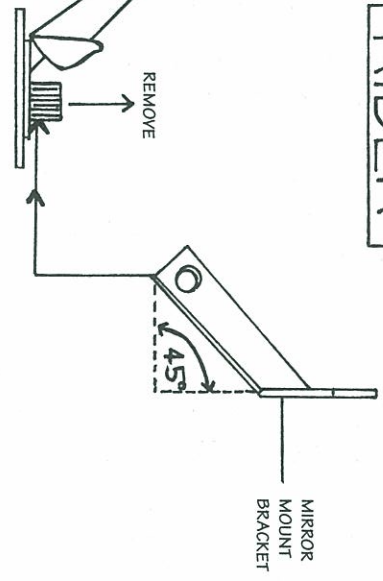


A

BACK

B

← RIDER →



HONDA ELITE 250

MANUFACTURED BY

slipstreamer[®] inc.

10820 MANKATO STREET NE
PHONE (763) 780-9757
Email:slipshield@aol.com

BLAINE, MN 55449
FAX (763) 780-9762
www.slipstreamer.com

C

D

