

# HD-0 HARLEY SHIELD

## INSTALLATION INSTRUCTIONS

**IMPORTANT:** Before installing shield, please read instructions to get a proper fit.

### **NO. 1** UPPER MOUNT ASSEMBLY

Install bolt, star washer, barrel and t-knob as shown in **Figure A**.

\*\*Note: Hand tighten only.

### **NO. 2** HANDLEBAR CLAMP INSTALLATION

Install handlebar clamps and barrels as shown in **Figure B**. Barrels may be positioned either on the front or rear side of handlebars depending on motorcycle.

### **NO. 3** FINAL ADJUSTMENTS

Once windscreen is attached, adjust to your liking. Manufacturer suggests you angle your shield approximately to angle of forks.

\*\*Note: After initial installation and approximately 100 miles, check mounting hardware for tightness. Manufacturer suggests using Loctite on all non-adjustable fasteners to prevent loosening through vibration.

### **NO. 4** CLEANING THE HD-0 WINDSCREEN

Use **Slipstreamer Cleaner/Polish**, and to remove scratches use **Slipstreamer Scratch Remover** available at your Slipstreamer Dealer or wash with a **mild** soap or detergent and lukewarm water. Use a soft cloth or sponge. Rinse well and blot dry with a damp cloth or chamois.

**NEVER USE ABRASIVE CLEANERS, HOUSEHOLD CLEANERS, WINDOW CLEANING FLUIDS, SCOURING COMPOUND, GRITTY CLOTHS, OR STRONG SOLVENTS SUCH AS ALCOHOL, ACETONE, CARBON TETRACHLORIDE, ETC.**

To maintain the brilliant luster, wax occasionally with a good grade of automobile wax. **(Not a cleaner-wax combination.)** Apply a thin coat with a clean cotton cloth. Then wipe with a clean damp cloth. **NEVER USE HOUSEHOLD SPRAY WAXES.**

FIGURE A

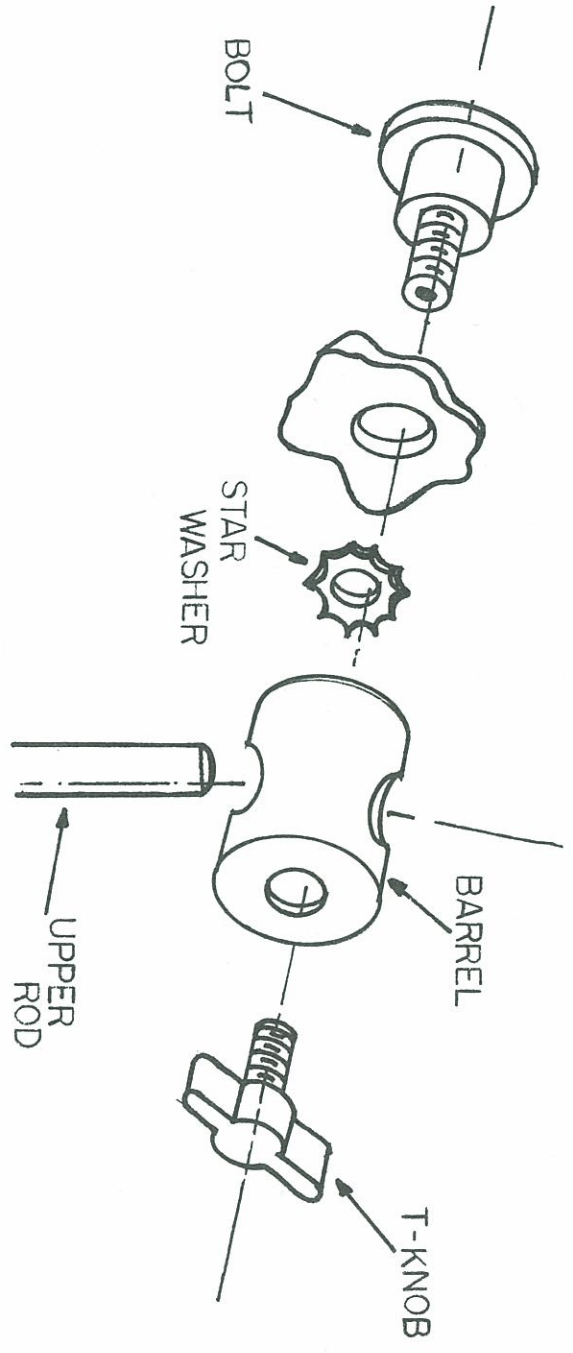
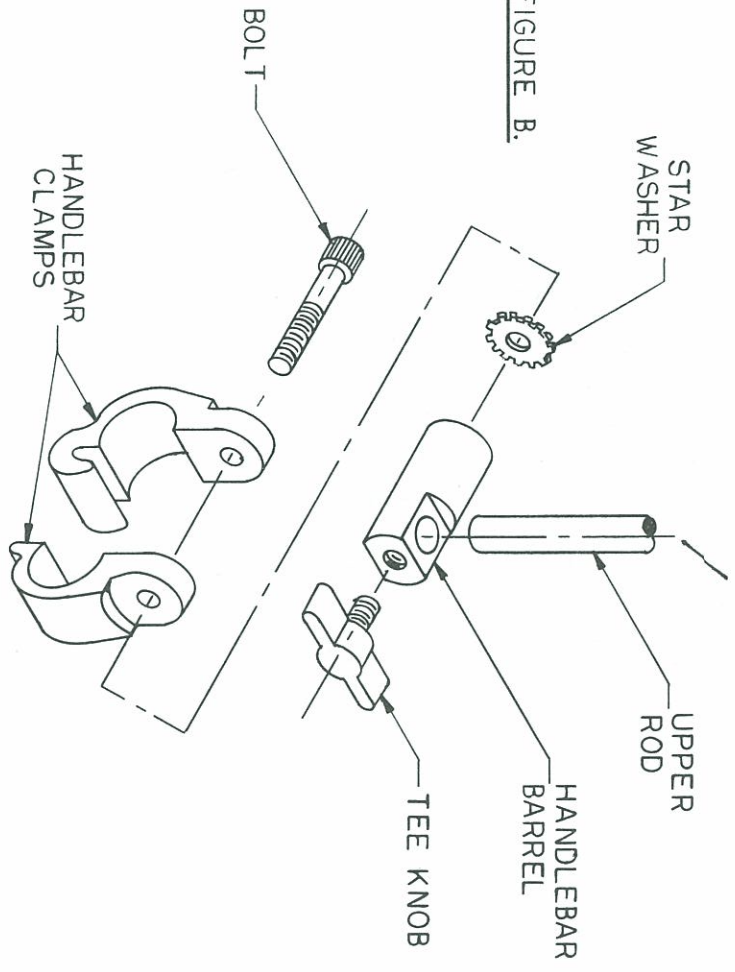


FIGURE B.



# MODEL HD-0 UNIVERSAL HARLEY SHIELD

MANUFACTURED BY

**slipstreamer<sup>®</sup> inc.**

10820 MANKATO STREET N.E.  
PHONE (763) 780-9757  
Email: slipshield@aol.com

BLAINE, MN 55449  
FAX (763) 780-9762  
www.slipstreamer.com