

SLIPSTREAMER • TURBO • SPORTSHIELD

INSTRUCTION SHEET

IMPORTANT

- A. Any reference made to the "left" or "right", "front" or "back" is taken as the rider is seated on the motorcycle.
- B. Any variations from these installation instructions could have an adverse effect on the performance of the fairing or negate any present or future warranty.

No. 1. UPPER MOUNT AND ROD INSTALLATION

Install upper cap and barrel as shown in **FIGURE A**. **NOTE: Hand tighten only.**

No. 2. HANDLEBAR CLAMP INSTALLATION

Install handlebar clamps and barrels as shown in **FIGURE B**. Barrels may be positioned either on the front or rear side of handlebars depending on handlebar configuration.

No. 3. LOWER MOUNT INSTALLATION

Lower brackets mount on headlight axis or the turnsignal light shaft when it is used as the axis point as shown in **FIGURE C**. Bracket slips between the headlight bracket and headlight bolt or turnsignal shaft. Brackets are stamped "L" for left and "R" for right.

NOTE: SHIELD MUST BE MOUNTED BEHIND LOWER MOUNT BRACKETS. On motorcycles with counter bored headlight bolts Honda CB1000, V45 Magna, Shadow 750, CX650, Nighthawk 650 and any others, will require a longer bolt, 8mm x 35mm long available at your motorcycle dealership.

On some model motorcycles a slight bend may have to be applied.

No. 4. FINAL ADJUSTMENTS

Mfg. suggests using loctite on all fasteners to prevent loosening from vibration. when shield is attached at all four points, adjust shield to proper angle. For maximum performance, the angle of the shield should be approximately the same as the angle of the forks. Tighten up all hardware snugly and enjoy your windshield or fairing by Slipstreamer.

NOTE: After initial installation and approximately 100 miles check mounting hardware for tightness.

No. 5. CLEANING THE LUCITE SHIELD

Use **Slipstreamer Cleaner/Polish** and to remove scratches use **Slipstreamer Scratch Remover** available at your Slipstreamer Dealer or wash with a **mild** soap or detergent and lukewarm water. Use a soft clean cloth or sponge. Rinse well and blot dry with a damp cloth or chamois.

NEVER USE ABRASIVE CLEANERS, HOUSEHOLD CLEANERS, WINDOW CLEANING FLUIDS, SCOURING COMPOUND, GRITTY CLOTHS, OR STRONG SOLVENTS SUCH AS ALCOHOL, ACETONE, CARBON TETRACHLORIDE, ETC.

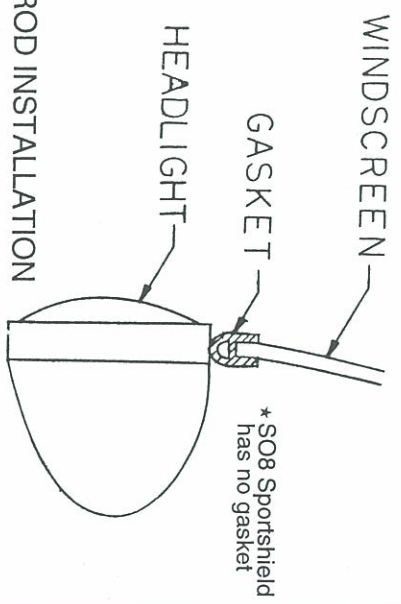
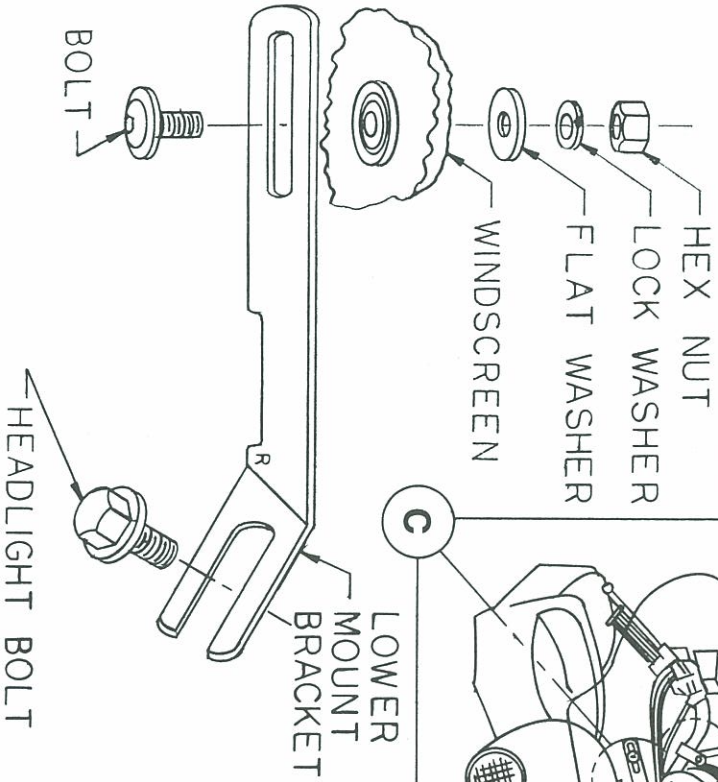
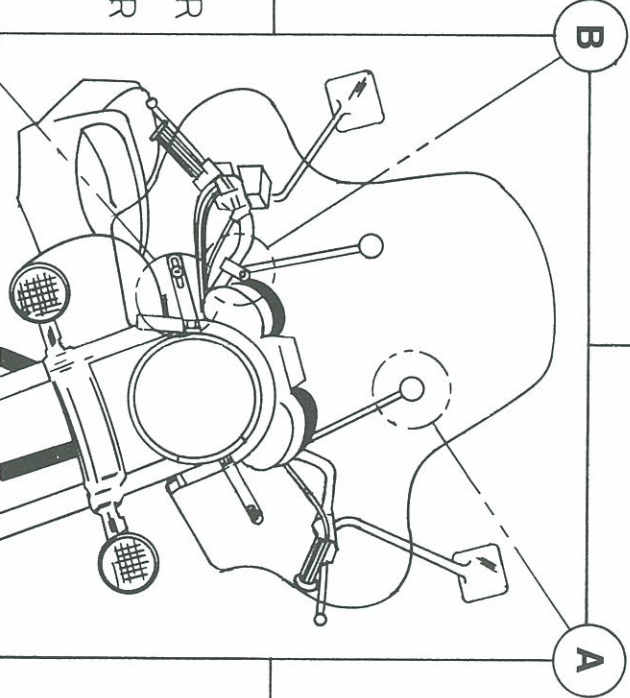
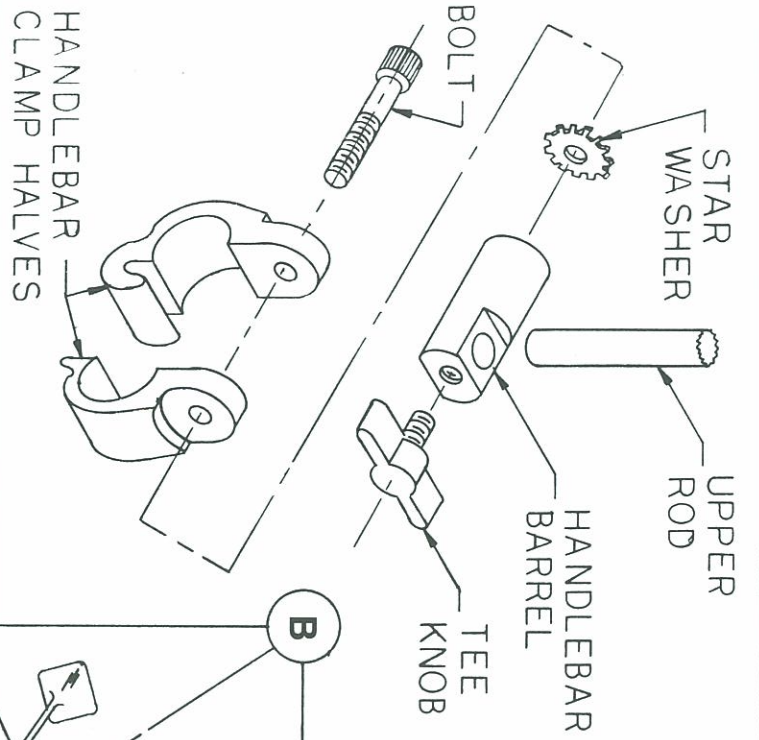
To maintain the brilliant luster of Lucite, wax occasionally with a good grade of automobile wax. (**Not a cleaner-wax combination.**) Apply a thin coat with a clean cotton cloth. Then wipe with a clean damp cloth. **NEVER USE HOUSEHOLD SPRAY WAXES.**

MANUFACTURED BY

slip streamer® *inc.*

10820 MANKATO STREET NE
PHONE (763) 780-9757
Email: slipshield@aol.com

BLAINE, MN 55449
FAX (763) 780-9762
www.slipstreamer.com



- A. UPPER MOUNT & ROD INSTALLATION
- B. HANDLEBAR CLAMP INSTALLATION
- C. LOWER MOUNT INSTALLATION

MANUFACTURED BY

slipstreamer[®] inc.

10820 MANKATO STREET NE
PHONE (763) 780-9757
Email: slipshfield@aol.com

BLAINE, MN 55449
FAX (763) 780-9762
www.slipstreamer.com