

COBRA • SPITFIRE • VIPER

INSTALLATION INSTRUCTION SHEET

IMPORTANT

- A. BEFORE INSTALLING FAIRING READ INSTALLATION INSTRUCTIONS THOROUGHLY.
- B. **Any variations from these installation instructions could have an adverse effect on the performance of the Fairing or negate any present or future warranty.**

NO. 1. UPPER MOUNT AND ROD INSTALLATION.

Install cap, front washer, rod, rear washer, and barrel as shown in **Figure A**.
(Cobra and Viper will use thinner washer on front)

NOTE: HAND TIGHTEN ONLY!

NO. 2. HANDLEBAR CLAMP INSTALLATION.

Install handlebar clamps and handlebar barrels as shown in **Figure B**. Barrel may be positioned either on the front or rear side; top or bottom of the handlebars depending on handlebar configuration.

NO. 3. FINAL ADJUSTMENTS.

When Windscreen is attached, adjust to the proper angle. For maximum performance, the angle of the Windscreen should be approximately the same as the angle of the forks.

NOTE: Be sure Windscreen headlight gasket is firmly against the motorcycle headlight housing (preloaded) at some point before tightening the tee knobs as shown in Figure C. Failure to do this will result in windscreen flutter.

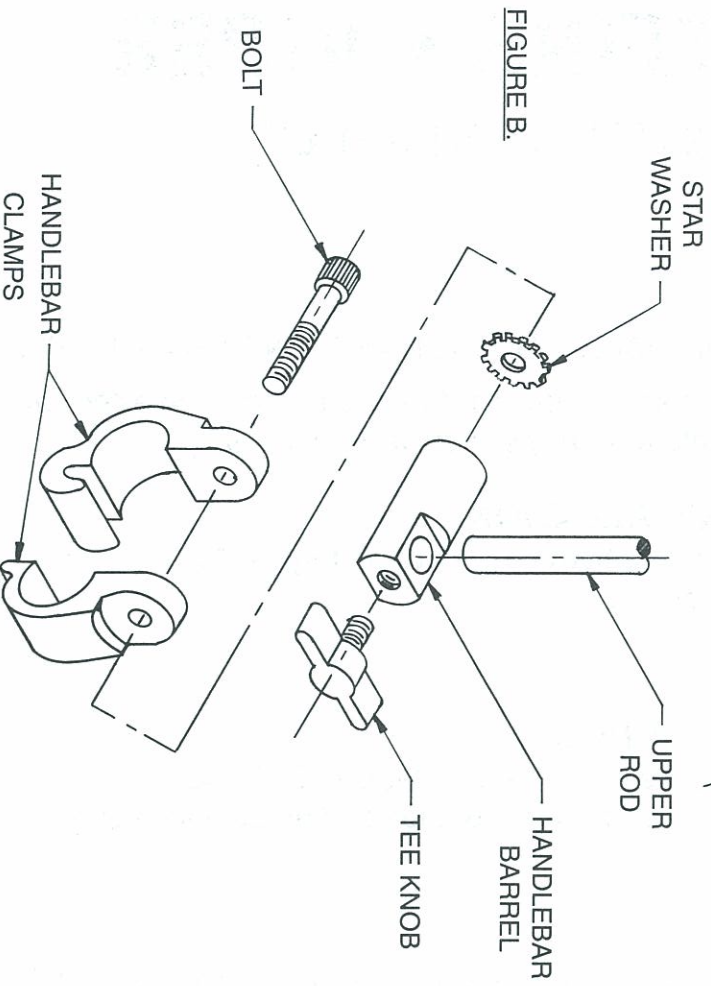
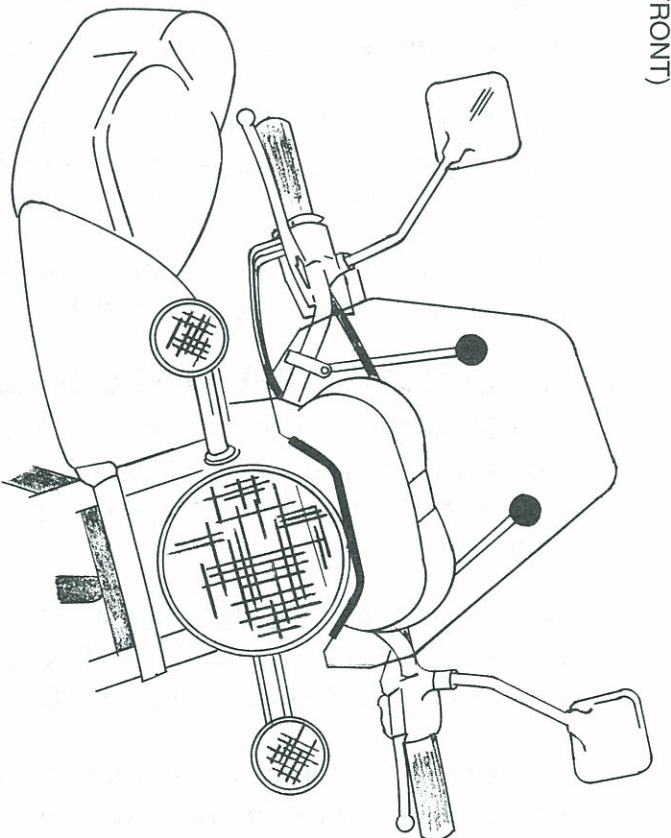
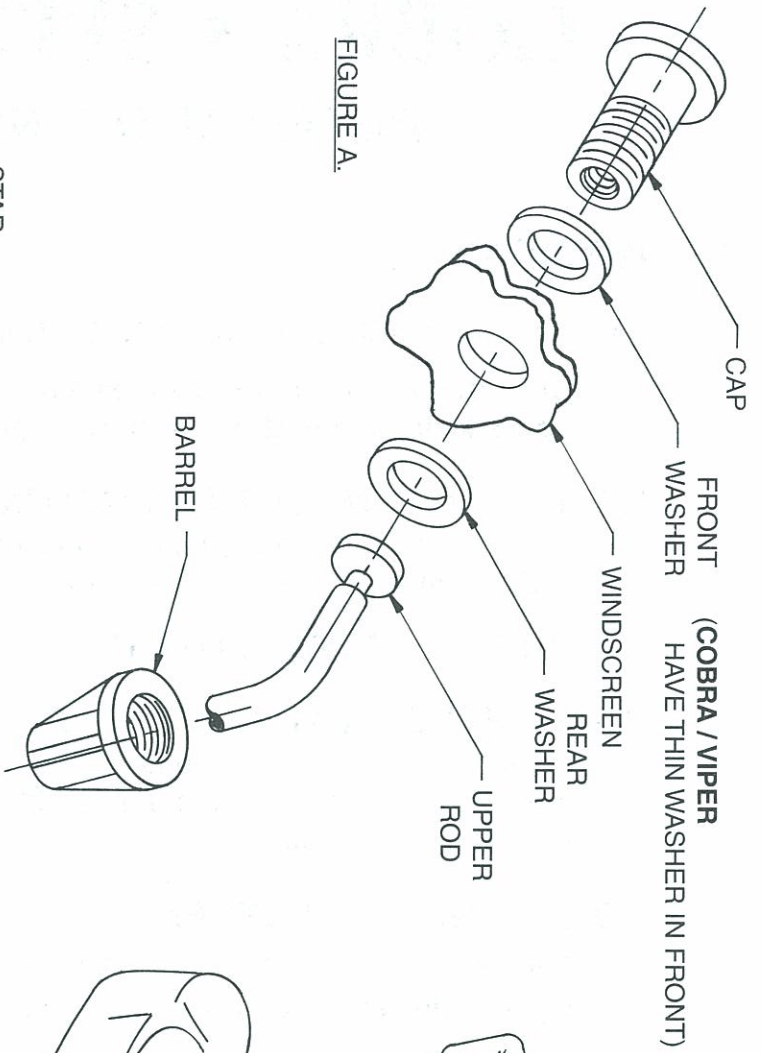
After initial installation and approximately 100 miles, check mounting hardware for tightness. Mfg. suggests using Loctite on all fasteners to prevent loosening from vibration.

NO. 4. CLEANING THE WINDSCREEN.

Use **Slipstreamer Cleaner/Polish** and to remove scratches use **Slipstreamer Scratch Remover** available at your Slipstreamer Dealer or **wash** with a **mild** soap or detergent and lukewarm water. Use a soft cloth or sponge. Rinse well and blot dry with a damp cloth or chamois.

NEVER USE ABRASIVE CLEANERS, HOUSEHOLD CLEANERS, WINDOW CLEANING FLUIDS, SCOURING COMPOUND, GRITTY CLOTHS, OR STRONG SOLVENTS SUCH AS ALCOHOL, ACETONE, CARBON TETRACHLORIDE, ETC.

To maintain the brilliant luster, wax occasionally with a good grade of automobile wax. **(Not a cleaner-wax combination).** Apply a thin coat with a clean cotton cloth. Then wipe with a clean damp cloth. **NEVER USE HOUSEHOLD SPRAY WAXES.**



COBRA / SPITFIRE / VIPER INSTALLATION INSTRUCTIONS

MANUFACTURED BY

slipstreamer[®] inc.

10820 MANKATO STREET NE
PHONE (763) 780-9757
Email: slipstream@aol.com

BLAINE, MN 55449
FAX (763) 780-9762
www.slipstreamer.com